

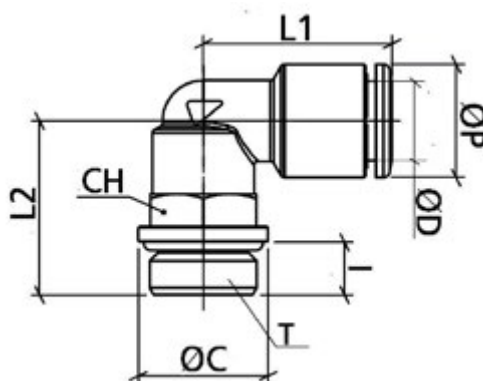
Data Sheet



Article number: 589OTRL04G01

Description: Metal Push-in fitting, elbow- $\varnothing 4$ - G1/8", w. o-ring
Type: OTRL04G01, Nickel plated brass

Measures



= 4

= G1/8"

= 10

= 13

= 5.5

= 19.5

= 19

= 13

Weight = 19